



DELIGHT HYDRAULIC INDIA

SYSTEMS

SERVICE

SOLUTIONS

DELIGHT



ABOUT US

Delight Hydraulics is a leading manufacturer company of Hydraulic Cylinders, Hydraulic Power Packs, and Hydraulic SPM. Our company is managed by a team of dedicated and well-trained employees.

Our technicians pursue professional ethics to provide the best services. We served our products in various sectors like Agriculture, bulk material handling, construction, defense, mining, and many more.

We specialize in making Hydraulic special purpose machines. We also design and modify Hydraulic systems.

Our team has good knowledge of Hydraulic products and their services such as Bosch Rexroth, Eaton Vickers, Parker, Denison, Hydac, Yuken, etc.

We are a leading company in the manufacturing of Hydraulic Cylinders for Mobile Hydraulics like Garbage Compactor, Construction Equipment like Boom Pumps, Mining Equipment like Universal Drilling Machines, etc.

We are an expert in developing custom Hydraulic cylinders that suits your needs. Because of a wide distribution network, we successfully delivered our products at the given time.

We specially designed products as per the industrial criteria, therefore our products are widely known for their durability, high performance, higher strength, fungus resistance and longer functional life.

MISSION

Provide high quality with global performance standard Hydraulic products and services that always meet client expectations.

VISION

We shall be known and admired for our innovative spirit in manufacturing reliable Hydraulic systems. We aim to become expertise in fluid power.

MANUFACTURER IN

- HYDRAULIC POWER PACK
- HYDRAULIC CYLINDER
- Design and build of Hydraulic Systems
- Good product & Service Knowledge in Hydraulic Products of Bosch Rexroth, Eaton Vickers, Parker, Denison, Hydac, Yuken etc.,
- Modification of Hydraulic System with the cost effective solutions
- Servicing & Commissioning of Hydraulic Systems





Baling Machine



**Hydraulic
Press Machine**

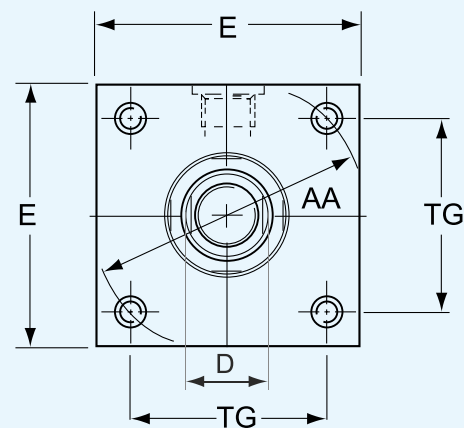
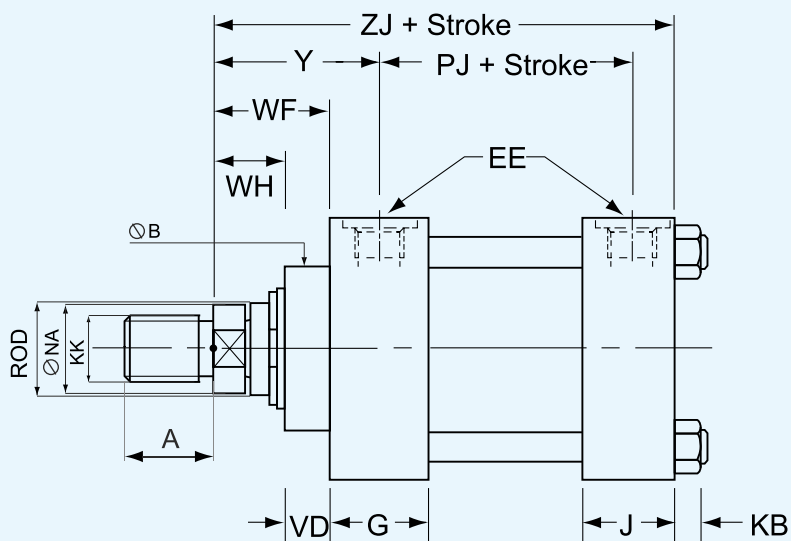
Mounting types for Series



Welded Types of Cylinder



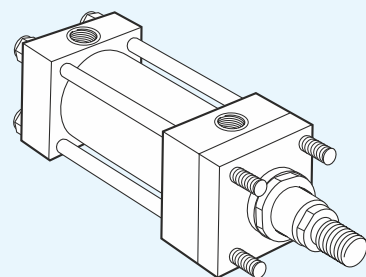
Bore	ROD	Piston Area	Annulus Area	Pressure: 75 Bar			Pressure: 150 Bar			Pressure: 210 Bar		
				Push Force	Pull Force		Push Force	Pull Force		Push Force	Pull Force	
mm	mm	cm ²	cm ²	kgf	kgf		kgf	kgf		kgf	kgf	
25	12 18	4.91	3.78 2.36	368	283	177	736	566	354	1,030	793	496
32	14 22	8.04	6.50 4.24	603	487	318	1,206	975	636	1,688	1,365	890
40	18 28	12.56	10.02 6.41	942	751	480	1,884	1,502	961	2,638	2,103	1,345
50	28 36	19.63	13.47 9.45	1,472	1,010	709	2,944	2,021	1,418	4,121	2,829	1,985
63	36 45	31.16	20.98 15.26	2,337	1,574	1,145	4,673	3,147	2,289	6,543	4,406	3,205
80	45 56	50.24	34.34 25.62	3,768	2,576	1,922	7,536	5,152	3,843	10,550	7,212	5,381
100	56 70	78.50	53.88 40.04	5,888	4,041	3,003	11,775	8,082	6,005	16,485	11,315	8,407
125	70 90	122.66	84.19 59.07	9,199	6,314	4,430	18,398	12,629	8,861	25,758	17,680	12,405
160	90 110	200.96	137.38 105.98	15,072	10,303	7,948	30,144	20,606	15,896	42,202	28,849	22,255
200	110 140	314.00	219.02 160.14	23,550	16,426	12,011	47,100	32,852	24,021	65,940	45,993	33,629
250	160 180	490.63	189.67 236.29	36,797	21,725	17,721	73,594	43,450	35,443	103,031	60,830	49,620
320	200 220	803.84	489.84 423.90	60,288	36,738	31,793	120,576	73,476	63,585	168,806	102,866	89,019



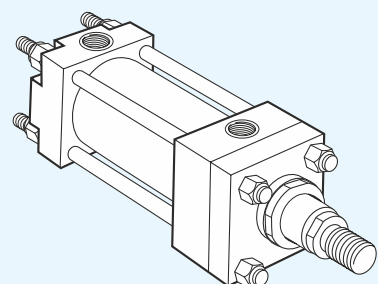
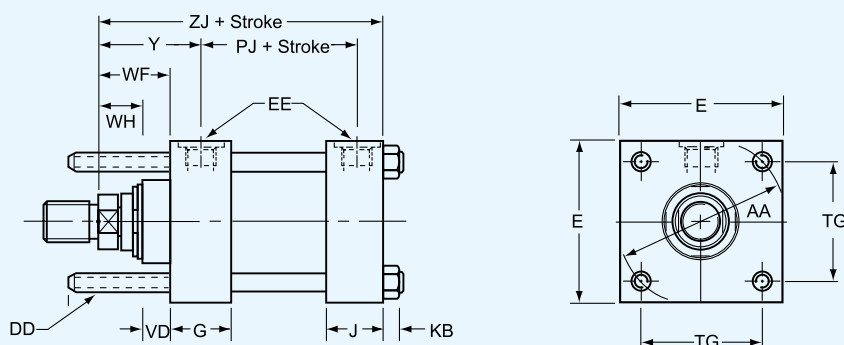
Bore Ø	ROD	A	B	D	E	EE	G	J	KK	NA	PJ	TG	WH	Y	ZJ	VD	SS	FB	LH _{h10}	SB	ST	SW	TF	TS	UO	US	XS	ZB	KB
25	12	14	24	10	40	1/4"	50	25	M10X1.25	11	53	27	25	50	114	6	72	5.5	19	6.6	8.5	8	51	54	65	72	33	121	4
32	14 22	16 22	26 34	12 18	45	1/4"	50	25	M12X1.25P M16X1.5P	13 21	56 33	35 35	60 128	12	72	6.6	22	9	12.5	10	58	63	70	84	45	137	5		
40	18 28	18 28	30 42	15 22	64	3/8"	55	38	M14X1.5P M20X1.5P	17 26	73 41	35 62	153 6	12 97	11	31	11	12.5	10	87	83	110	103	45	166	6.5			
50	28 36	28 36	42 50	22 30	76	1/2"	61	38	M20X1.5P M27X2P	26 34	74 52	41 67	159 6	9 91	14	37	14	19	13	105	102	130	127	54	176	10			
63	36 45	36 45	50 60	30 39	90	1/2"	61	38	M27X2P M33X2P	34 43	80 65	48 71	168 9	13 85	14	44	18	26	17	117	124	145	161	65	185	10			
80	45 56	45 56	60 72	39 48	115	3/4"	70	45	M33X2P M42X2P	43 54	93 83	51 77	190 9	9 104	18	57	18	26	17	149	149	180	186	68	212	13			
100	56 70	56 63	72 88	48 62	130	3/4"	72	45	M42X2P M48X2P	54 68	101 97	57 82	203 7	10 101	18	63	26	32	22	162	172	200	216	79	225	13			
125	70 90	63 85	88 108	62 80	165	1"	80	58	M48X2P M64X3P	68 88	117 126	57 86	232 10	10 130	22	82	26	32	22	208	210	250	254	79	260	18			
160	90 110	85 95	108 133	80 100	205	1"	83	58	M64X3P M80X3P	88 108	130 155	57 86	245 7	7 129	26	101	33	38	29	253	260	300	318	86	279	22			
200	110 140	95 112	133 163	100 128	245	1 1/4"	101	76	M80X3P M100X3P	108 138	165 190	57 98	299 7	7 171	33	122	39	44	35	300	311	360	381	92	336	24			

Note : Special order as per customer specification also accepted.

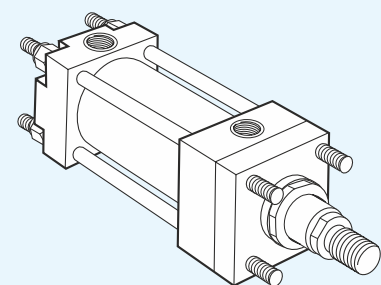
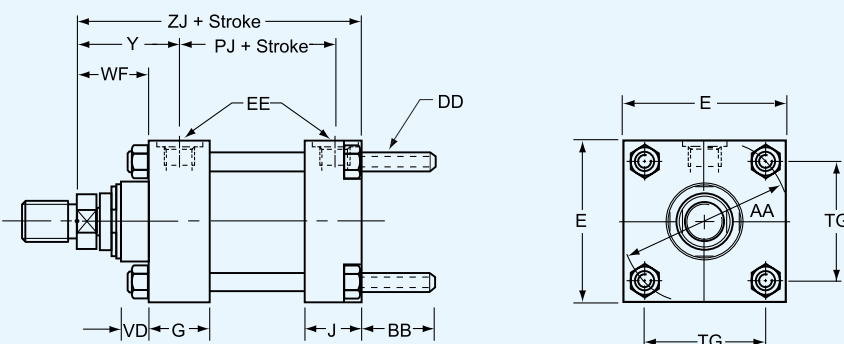
All dimensions in mm unless otherwise stated.



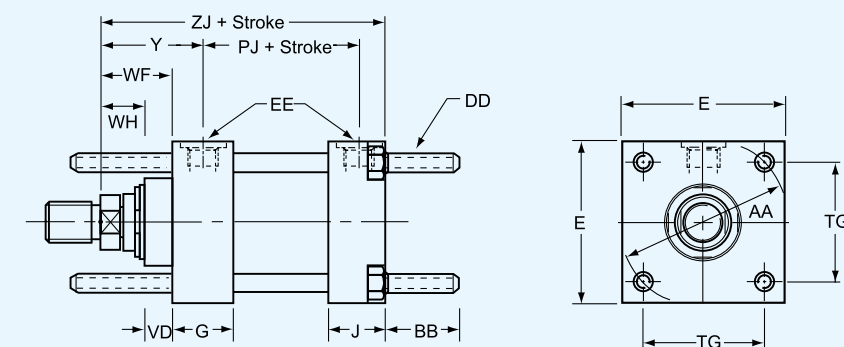
MX3-Tie Rods
 Extended Head Mounting



MX2-Tie Rods
 Extended Cap Mounting



MX1-Tie Rods
 Extended Both Ends

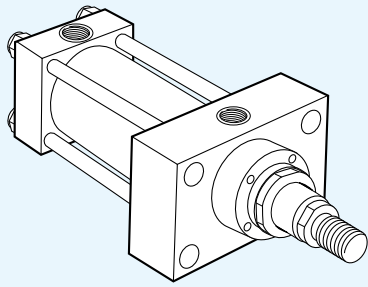


Dimensions

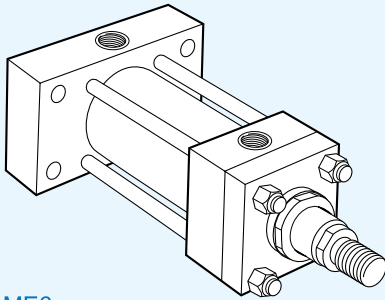
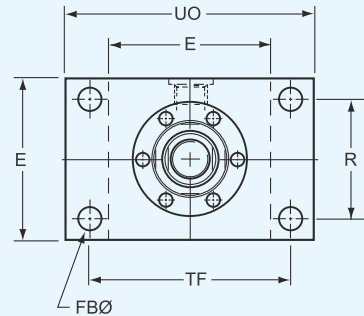
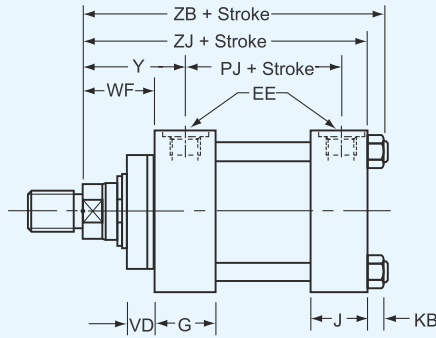
Bore Ø	AA	BB	DD	E	EE	FT	G	J	KB	TG	WH	Y	ADD SROKE	
													PJ	ZJ
25	40	19	M5X0.8	40	1/4"	10	50	25	4	28.3	15	50	53	114
32	47	24	M6X1	45	1/4"	10	50	25	5	33.2	25	60	56	128
40	59	35	M8X1	64	3/8"	10	55	38	6.5	41.7	25	62	73	153
50	74	46	M12X1.25	76	1/2"	16	61	38	10	52.3	25	67	74	159
63	91	46	M12X1.25	90	1/2"	16	61	38	10	64.3	32	71	80	168
80	117	59	M16X1.5	115	3/4"	20	70	45	13	82.7	31	77	93	190
100	137	59	M16X1.5	130	3/4"	22	72	45	13	96.9	35	82	101	203
125	178	81	M22X1.5	165	1"	22	80	58	18	125.9	35	86	117	232
160	219	92	M27X2	205	1"	25	83	58	22	154.9	32	86	130	245
200	269	115	M30X2	245	1/4"	25	101	76	24	190.2	32	98	165	299

Note : Special order as per customer specification also accepted.

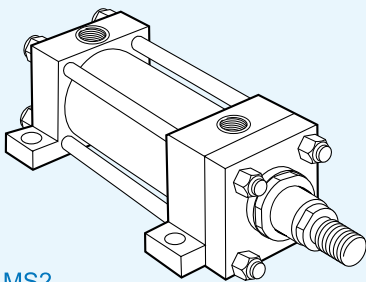
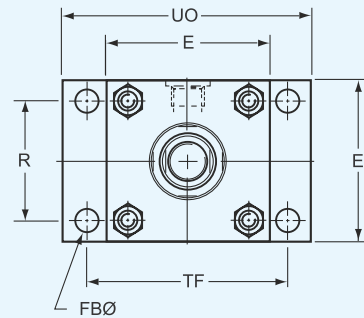
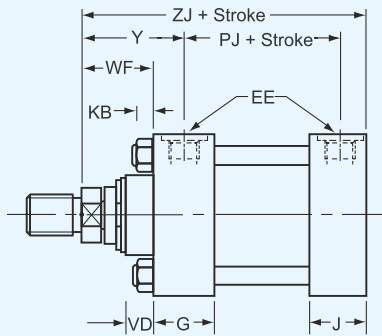
All dimensions in mm unless otherwise stated.



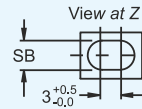
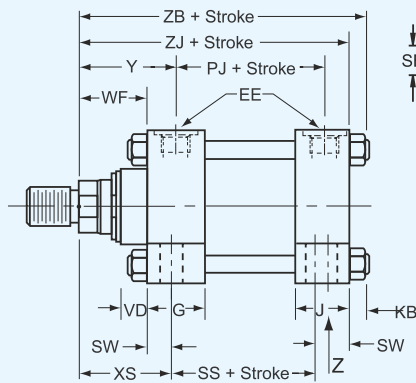
ME5
Head Rectangular Flange



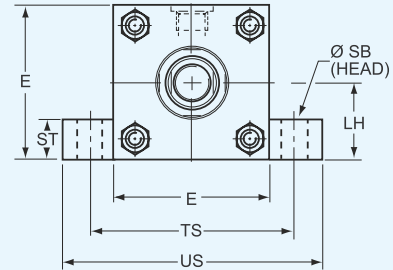
ME6
Cap Rectangular Flange



MS2
Side Lug Mounting



A thrust key may be used with this mounting style.

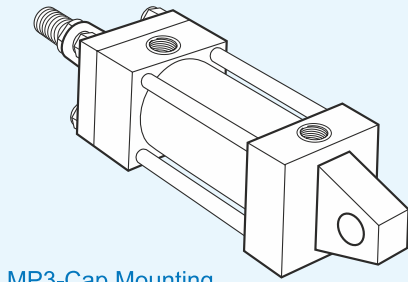


Dimensions

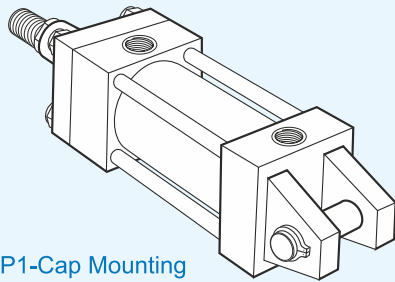
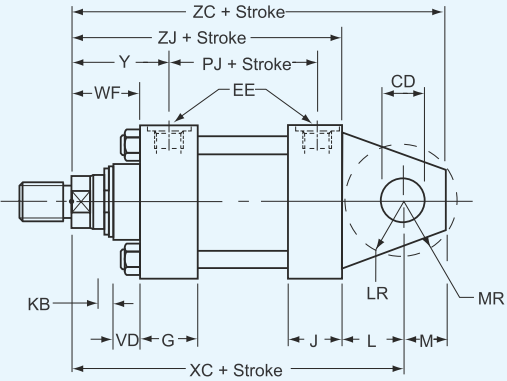
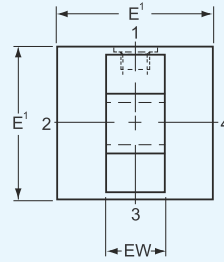
Bore Ø	E	EE	FB	G	J	KB	LH h 10	R	SB	ST	SW	TO	TS	UO	US	XS	Y	ADD SROKE			
																		PJ	SS	ZB	ZJ
25	40	1/4"	5.5	50	25	4	19	27	6.6	8.5	8	51	54	65	72	33	50	53	72	121	114
32	45	1/4"	6.6	50	25	5	22	33	9	12.5	10	58	63	70	84	45	60	56	72	137	128
40	64	3/8"	11	55	38	6.5	31	41	11	12.5	10	87	83	110	103	45	62	73	97	166	153
50	76	1/2"	14	61	38	10	37	52	14	19	13	105	102	130	127	54	67	74	91	176	159
63	90	1/2"	14	61	38	10	44	65	18	26	17	117	124	145	161	65	71	80	85	185	168
80	115	3/4"	18	70	45	13	57	83	18	26	17	149	149	180	186	68	77	93	101	212	190
100	130	3/4"	18	72	45	13	63	97	26	32	22	162	172	200	216	79	82	101	101	225	203
125	165	1"	22	80	58	18	82	126	26	32	22	208	210	250	254	79	86	117	130	260	232
160	205	1"	26	83	58	22	101	155	33	38	29	253	260	300	318	86	86	130	129	279	156
200	245	1 1/4"	33	101	76	24	122	190	39	44	35	300	311	360	381	92	98	165	171	336	299

Note : Special order as per customer specification also accepted.

All dimensions in mm unless otherwise stated.

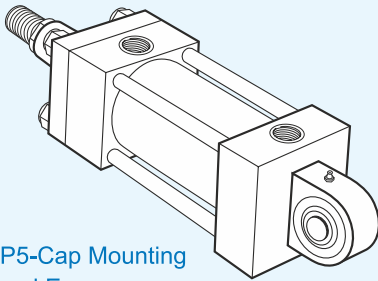
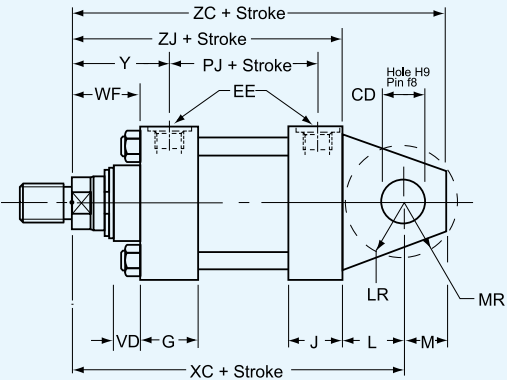
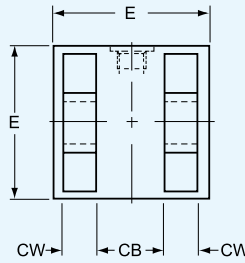


MP3-Cap Mounting
Fixed Eye

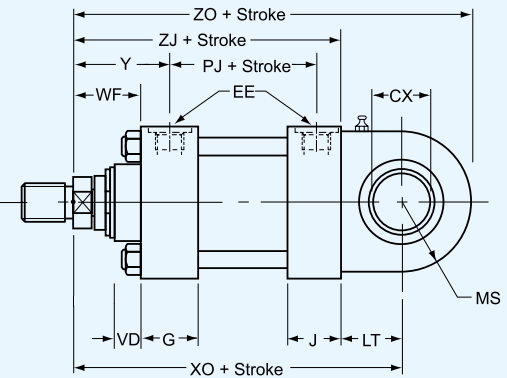
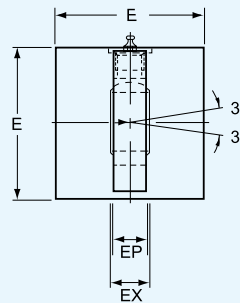


MP1-Cap Mounting
Fixed Clevis

Supplied complete with pivot pin



MP5-Cap Mounting
Fixed Eye

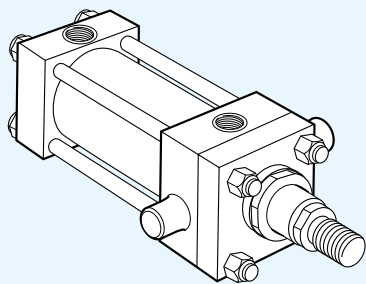


Dimensions

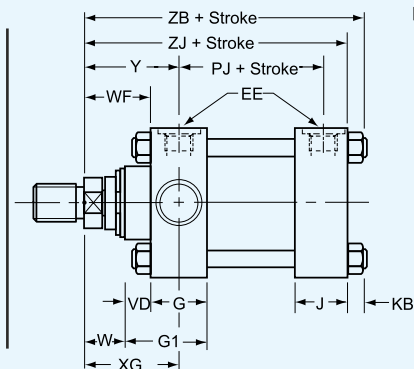
Bore Ø	CB A 16	CD H 9	CW	CX	E	EE	EP	EW h 14	G	EX	J	KB	L	LR	LT	M	MR	MS Max	Y	ADD STROKE					
																				PJ	XC	XO	ZC	ZJ	ZO
25	12	10	6	12-0.008	40	1/4"	8	12	50	10	25	4	13	12	16	10	12	20	50	53	127	130	137	114	150
32	16	12	8	16-0.008	45	1/4"	11	16	50	14	25	5	19	17	20	12	15	22.5	60	56	147	148	159	128	170.5
40	20	14	10	20-0.012	64	3/8"	13	20	55	16	38	6.5	19	17	25	14	16	29	62	73	172	178	186	153	207
50	30	20	15	25-0.012	76	1/2"	17	30	61	20	38	10	32	29	31	20	25	33	67	74	191	190	211	159	223
63	30	20	15	30-0.012	90	1/2"	19	30	61	22	38	10	32	29	38	20	25	40	71	80	200	206	220	168	246
80	40	28	20	40-0.012	115	3/4"	23	40	70	28	45	13	39	34	48	28	34	50	77	93	229	238	257	190	288
100	50	36	25	50-0.012	130	3/4"	30	50	72	35	45	13	54	50	58	36	44	62	82	101	257	261	293	203	323
125	60	45	30	60-0.015	165	1"	38	60	80	44	58	18	57	53	72	45	53	80	86	117	289	304	334	232	384
160	70	56	35	80-0.015	205	1"	47	70	83	55	58	22	63	59	92	59	59	100	86	130	308	337	367	245	437
200	80	70	40	100-0.020	245	1 1/4"	57	80	101	70	76	24	82	78	116	70	76	120	98	165	381	415	451	299	535

Note : Special order as per customer specification also accepted.

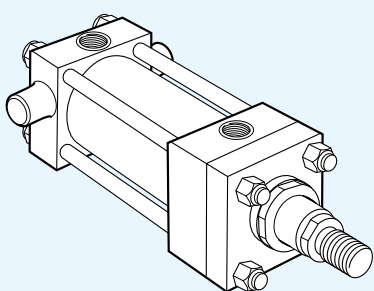
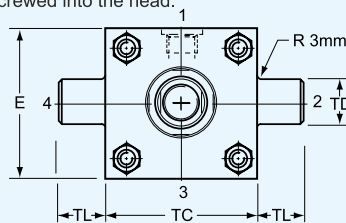
All dimensions in mm unless otherwise stated.



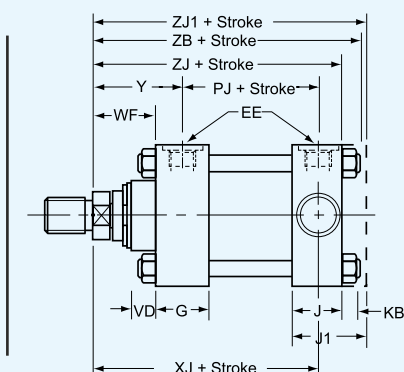
MT1-Head Trunnion Mounting



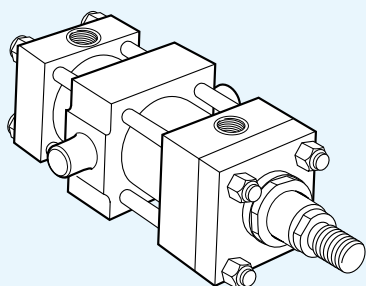
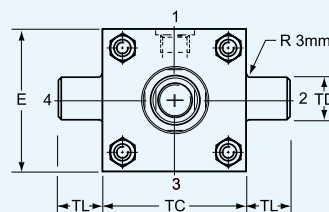
Note:
A one-piece head and retainer is used on 100mm-00mm bore sizes – G1 dimension. On 160 and 00mm bores, the bolted bushing is recessed, with tie rods screwed into the head.



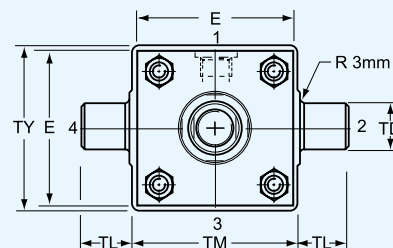
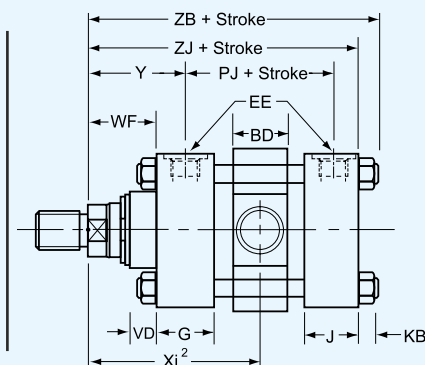
MT2-Cap Trunnion Mounting



Note:
On 100-00mm bore cylinders, dimension J becomes J1. ZJ1 replaces ZB, and tie rods are screwed directly into the cap.



MT4-Intermediate Fixed Trunnion Mounting



Dimensions

Bore Ø	BD	E	EE	G	G1	J	J1	KB	TC	TD f8	TL	TM	TY	W	XG	Y	ADD STROKE					Style DD Min Stroke	Min XI Dim n Sq.
																	PJ	XJ	ZJ	ZJ1	ZB Max		
25	20	40	1/4"	50	-	25	-	4	38	12	10	48	45	-	44	50	53	101	114	-	121	150	78
32	25	45	1/4"	50	-	25	-	5	44	16	12	55	54	-	54	60	56	15	128	-	137	170.5	90
40	30	64	3/8"	55	-	38	-	6.5	63	20	16	76	7	-	57	62	73	134	153	-	166	207	97
50	40	76	1/2"	61	-	38	-	10	76	25	20	89	89	-	64	67	74	140	159	-	176	223	107
63	40	90	1/2"	61	-	38	-	10	89	32	25	100	95	-	70	71	80	149	168	-	185	246	114
80	50	115	3/4"	70	-	45	50	13	114	40	32	127	127	-	76	77	93	168	190	194	212	288	127
100	60	130	3/4"	72	72	45	58	13	127	50	40	140	140	35	71	82	101	187	203	216	225	323	138
125	73	165	1"	80	80	58	71	18	165	63	50	178	178	35	75	86	117	209	232	245	260	384	153
160	90	205	1"	83	88	58	88	22	203	80	63	215	216	32	75	86	130	130	245	275	279	437	161
200	110	245	1 1/4"	101	108	76	108	24	241	100	80	279	280	32	85	98	165	276	299	330	336	535	190

Note : Special order as per customer specification also accepted.

All dimensions in mm unless otherwise stated.



VMC Fixtures Operating Machine



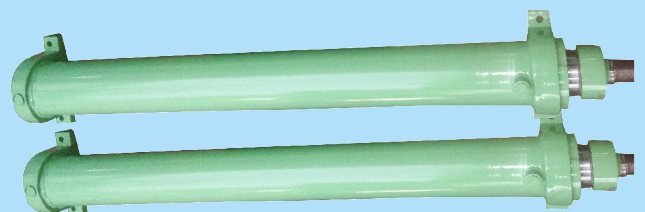
Hydraulic Press Machine Power Pack



GDC Machine Operating Power Pack

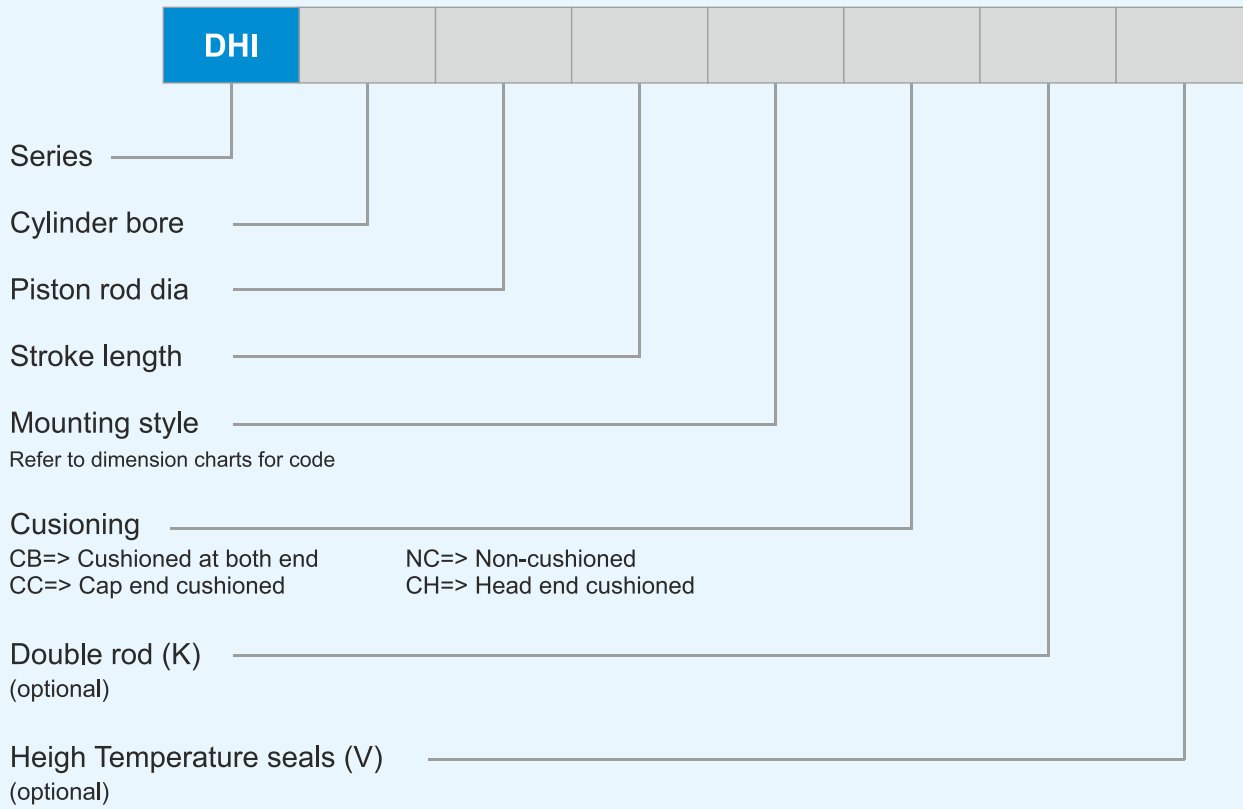


Customized Hydraulic Power Pack



Telescopic Hydraulic Cylinder

Ordering Code



Example

DHI series hydraulic cylinder with bore 50mm, piston rod dia 22mm, stroke 100mm, mounting head rectangular and cusion at both ends will be specified as

DHI	50	22	100	ME5	CB	-	-
------------	-----------	-----------	------------	------------	-----------	----------	----------

All dimensions are in millimeters unless otherwise stated.





Hydraulic Valve Block Assembly



Mini Hydraulic Power Pack



Motor Pump Assembly



Hydraulic Pumps

Connect with us



DELIGHT HYDRAULIC INDIA

— SYSTEMS | SERVICE | SOLUTIONS —

Work Address :

Gat No. 1551, Sonawane Wasti, Jyotibanagar, Bhalekar Chowk,
(Near NAMO Hardware) Talwade, Pune - 411 062 (MH) India.

Office Address :

“Sai Planet Society”, Flat No. 503, Punawale,
Pune - 411 033 (MH) India.

+91 97625 64123 | +91 79721 56954

delighthydraulics@gmail.com | www.delighthydraulicindia.com

